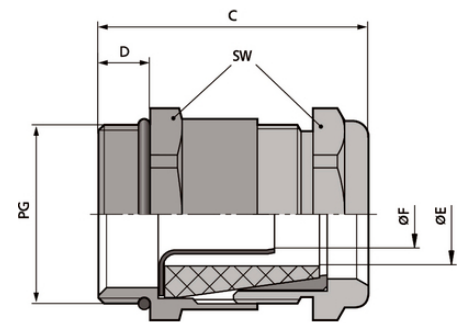
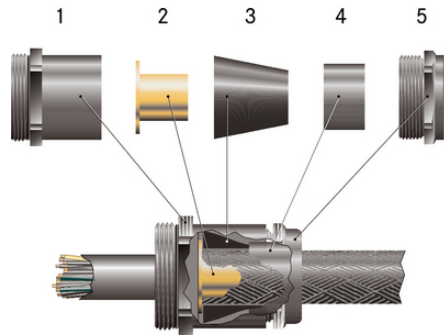


SKINDICHT® SHVE

SKINDICHT® SHVE, PG cable gland with low-resistance 360° screen contact and high degree of protection, as earthing gland



Optimum strain relief



Reliability



Interference signals



Temperature-resistant

Benefits

Optimum, low-resistance 360° screen contact
 High degree of protection
 High strain relief

Application range

Earthing gland, for applications where electrical interference fields can occur.
 Medical engineering
 Frequency converters
 Airports
 Measurement and control technology

Product Make-up

1 fitting
 2 earth sleeves
 3 sealing cones
 4 cone, brass
 5 compression screws

Last Update (23.12.2023)

©2023 Lapp Group - Technical changes reserved

Product Management www.lappkabel.de

You can find the current technical data in the corresponding data sheet.

PN 0456 / 02_03.16

SKINDICHT® SHVE

Note

Counter nut to be used: SKINDICHT® SM

EMC counter nut, SKINDICHT® SM nut should be used to ensure optimum contact with painted, anodised or powder-coated housings

Example order identification:

SHVE 13.5 / 9 / 9 / 5

13.5 = PG thread compression screw

9 = PG connection thread

9 = Clear width of sealing cone

5 = Clear width earthing sleeve

Technical Data

Classification ETIM 6:

ETIM 6.0 Class-ID: EC000441

ETIM 6.0 Class-Description: Cable screw gland

Caution:

The installation dimensions
can be found in appendix T21

Material:

Body: nickel-plated
Earthing sleeve: blank brass
Special sealing cone: CR
O-ring: NBR

Protection rating:

IP 68 - 10 bar

Temperature range:

-20°C to +80°C

Note

Photographs and graphics are not to scale and do not represent detailed images of the respective products.

Prices are net prices without VAT and surcharges. Sale to business customers only.

SKINDICHT® SHVE

Article number	Article designation / size	Outer sheath Ø, min./max. (mm)	Min./max. inner sheath Ø (mm)	SW wrench size mm	Overall length C mm	Thread length D mm	Pieces / PU
SKINDICHT® SHVE							
52010400	9/9/6/3,2	4 / 5.8	2.2 / 3.2	17	28.5	6	25
52010405	9/9/7/3,2	5 / 6.8	2.2 / 3.2	17	28.5	6	25
52010415	9/9/6/3,6	4 / 5.8	2.6 / 3.6	17	28.5	6	25
52010420	9/9/7/3,6	5 / 6.8	2.6 / 3.6	17	28.5	6	25
52010440	11/11/7/4,5	5 / 6.8	3.5 / 4.5	20	31.0	6	25
52010450	11/11/9/4,5	6.8 / 8.8	3.5 / 4.5	20	31.0	6	25
52010460	13,5/9/9/5	6.8 / 8.8	3.5 / 5	22	32.5	5.5	25
52010490	13,5/11/9/5	6.8 / 8.8	3.5 / 5	22	32.5	5.5	25
52010470	13,5/9/9/6	6.8 / 8.8	4.5 / 6	22	32.5	5.5	25
52010500	13,5/11/9/6	6.8 / 8.8	4.5 / 6	22	32.5	5.5	25
52005080	13,5/13,5/9/6	6.8 / 8.8	4.5 / 6	22	37.0	6	25
52010480	13,5/9/11/7	8.5 / 10.8	5.5 / 7	22	32.5	5.5	25
52010510	13,5/11/11/7	8.5 / 10.8	5.5 / 7	22	32.5	5.5	25
52005090	13,5/13,5/11/7	8.5 / 10.8	5.5 / 7	22	37.0	6	25
52010520	16/11/11/8	8.5 / 10.8	6 / 8	24	35.0	5.5	25
52010560	16/13,5/11/8	8.5 / 10.8	6 / 8	24	35.5	6	25
52005100	16/16/11/8	8.5 / 10.8	6 / 8	24	37.5	6	25
52010530	16/11/13/9	10.8 / 12.8	7 / 9	24	35.0	5.5	25
52010570	16/13,5/13/9	10.8 / 12.8	7 / 9	24	35.5	6	25
52005110	16/16/13/9	10.8 / 12.8	7 / 9	24	37.5	6	25
52010540	16/11/13/10	10.8 / 12.8	8 / 10	24	35.0	5.5	25
52010580	16/13,5/13/10	10.8 / 12.8	8 / 10	24	35.5	6	25
52005120	16/16/13/10	10.8 / 12.8	8 / 10	24	37.5	6	25
52010550	16/11/15/11	12 / 14.8	9 / 11	24	35.0	5.5	25
52010590	16/13,5/15/11	12 / 14.8	9 / 11	24	35.5	6	25
52005130	16/16/15/11	12 / 14.8	9 / 11	24	37.5	6	25
52010600	21/16/16/12	14 / 15.8	10 / 12	30	38.5	6.5	25
52005140	21/21/16/12	14 / 15.8	10 / 12	30	43.5	7	25
52010610	21/16/16/13	14 / 15.8	11 / 13	30	38.5	6.5	25
52005150	21/21/16/13	14 / 15.8	11 / 13	30	43.5	7	25
52010620	21/16/18/14	15.8 / 17.8	12 / 14	30	38.5	6.5	25
52005160	21/21/18/14	15.8 / 17.8	12 / 14	30	43.5	7	25
52010630	21/16/18/15	15.8 / 17.8	13 / 15	30	38.5	6.5	25

Last Update (23.12.2023)

©2023 Lapp Group - Technical changes reserved

 Product Management www.lappkabel.de

 You can find the current technical data in the corresponding data sheet.
 PN 0456 / 02_03_16

SKINDICHT® SHVE

Article number	Article designation / size	Outer sheath Ø, min./max. (mm)	Min./max. inner sheath Ø (mm)	SW wrench size mm	Overall length C mm	Thread length D mm	Pieces / PU
52005170	21/21/18/15	15.8 / 17.8	13 / 15	30	43.5	7	25
52010640	21/16/20/16	17.5 / 19.8	14 / 16	30	38.5	6.5	25
52005180	21/21/20/16	17.5 / 19.8	14 / 16	30	43.5	7	25
52005190	29/29/22/17	19.5 / 21.8	15 / 17	40	47.5	8	10
52005200	29/29/22/18	19.5 / 21.8	16 / 18	40	47.5	8	10
52005210	29/29/24/19	21.5 / 23.8	17 / 19	40	47.5	8	10
52005240	29/29/26/19	23.5 / 25.8	17 / 19	40	47.5	8	10

Last Update (23.12.2023)

©2023 Lapp Group - Technical changes reserved

Product Management www.lappkabel.deYou can find the current technical data in the corresponding data sheet.
PN 0456 / 02_03_16